

Data sheet

series Flex - DIN



PRODUCT SPECIFICATION

SK H2O protec construction waterstop series Flex according to DIN 18541, part 2, is a permanently flexible sealing profile made of thermoplastic polymer, PVC-P "reinforced spring steel", that is used to seal construction joints in waterproof concrete structures with high water pressures.

Characteristics / Advantages

- high tensile strength and elongation at break
- high permanent flexibility and high-load bearing capacity
- suitable for water pressure and large settlements
- resistant to all natural media acting aggressively to concrete (if applicable)
- resistant to a wide range of chemical substances (tests required for each additional specific situation)
- standard resistant
- supply of systems for easy handling on site
- weldable by using butt joints on site

Application

- joint sealing in concrete structures
- construction joint sealing system for in-situ concrete

Typical structures

- commercial buildings, cellars, underground car parks

Data sheet series Flex - DIN



Standards / Directives

- DIN 18197
- DIN 18541, part 2
- WU- Directives DAfStb
- Welding instructions

Test certificate / Approvals

- latest manufacturer's test certificate
- certificate of conformity - DIN 18541
- external monitoring by MPA NRW
- internal monitoring

PRODUCT DATA

Material

- PVC-P (Polyvinyl chloride with plasticizer / P: plasticized)

Colour

- black

Packaging

- supplied as standard rolls (25 m), pre-cuts and systems

Data sheet

series Flex - DIN



MECHANICAL PROPERTIES

according to DIN 18541, part 2

Shore A hardness

67 ± 5

Tensile strength

≥ 10 MPa

Elongation at break

≥ 350 %

Tear propagation resistance

≥ 12 kN/m

Low temperature performance

Elongation at break at -20°C ≥ 200%

Performance after weathering

Tensile strength ≤ 20%
Elongation at break ≤ 20%
Modulus of elasticity ≤ 50%

valid change of average values relative to the initial value

Performance of the weld at shear test
short-term joining factor f_z

break outside of weld ≥ 0,6

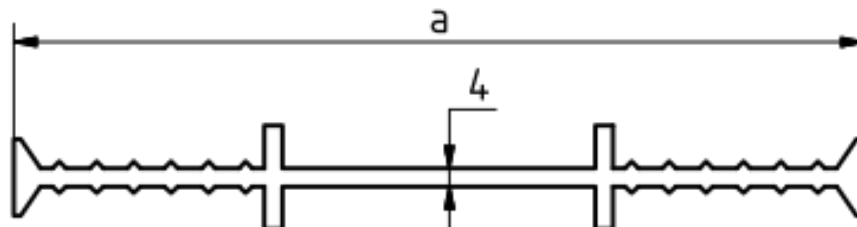
Fire behaviour

class E

Performance after storage in bitumen

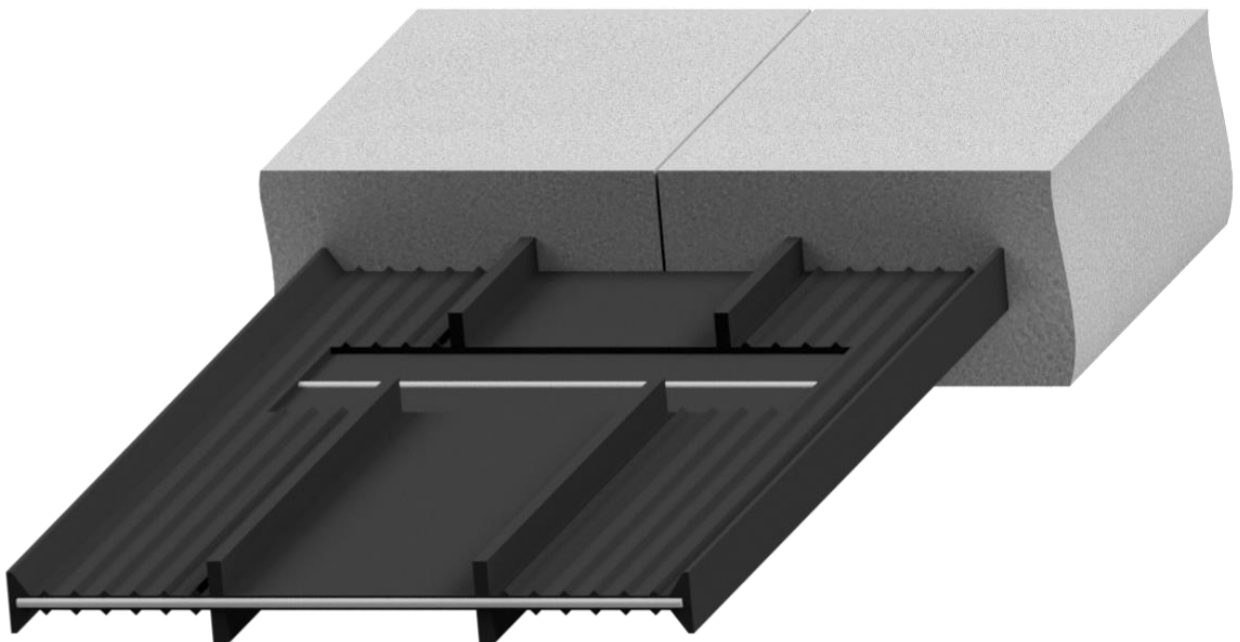
Tensile strength < 20%
Elongation at break < 20%
Modulus of elasticity < 50%

Data sheet series Flex - DIN



Description	Dimension a
BI Flex 19 DIN	190
BI Flex 24 DIN	240

All dimensions in mm



Reinforced spring steel in a distance of about 20cm.

As a result, the waterstop is stabilized transversely.